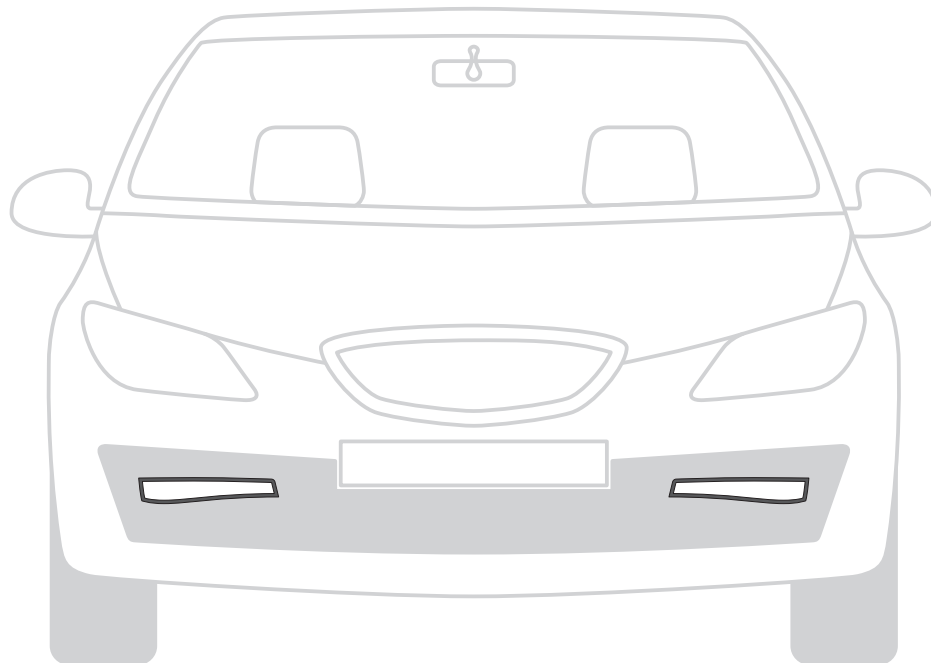


LED LIGHT@DAY®



NOT FOR PRINT PRODUCTION!
本品不可印刷生产

WARNING:

This PDF file is for reference only and not to be used for the creation of production art.

Colour printouts and screen displays should not be used for colour approval as colours may vary from device to device. The colour values for this file are defined in either Pantone (PMS), HKS, or in process colours (CMYK).

For obtaining hard-copies in actual size (1:1) you need to enter the proper settings in your printer options.

警告:

本PDF文档仅作为参照文件，不能将本档用于印刷生产或者制作菲林。

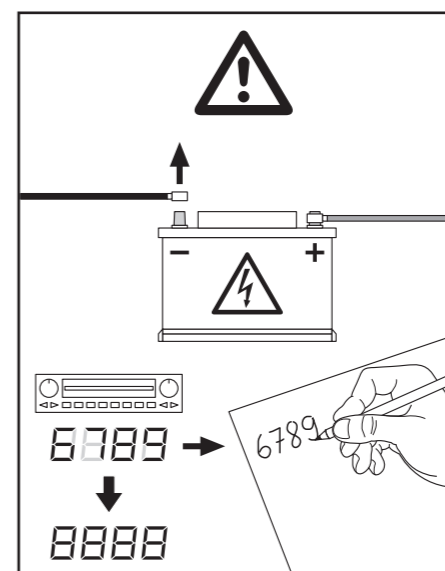
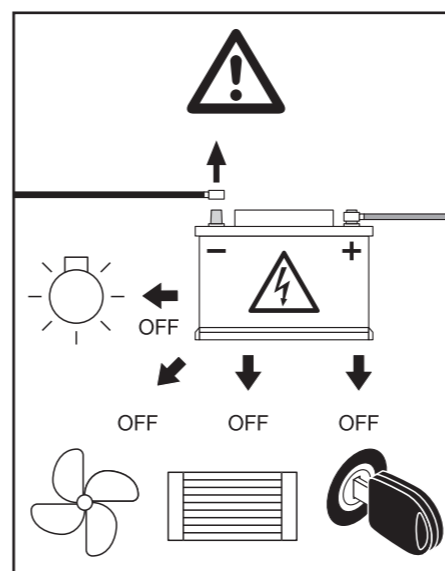
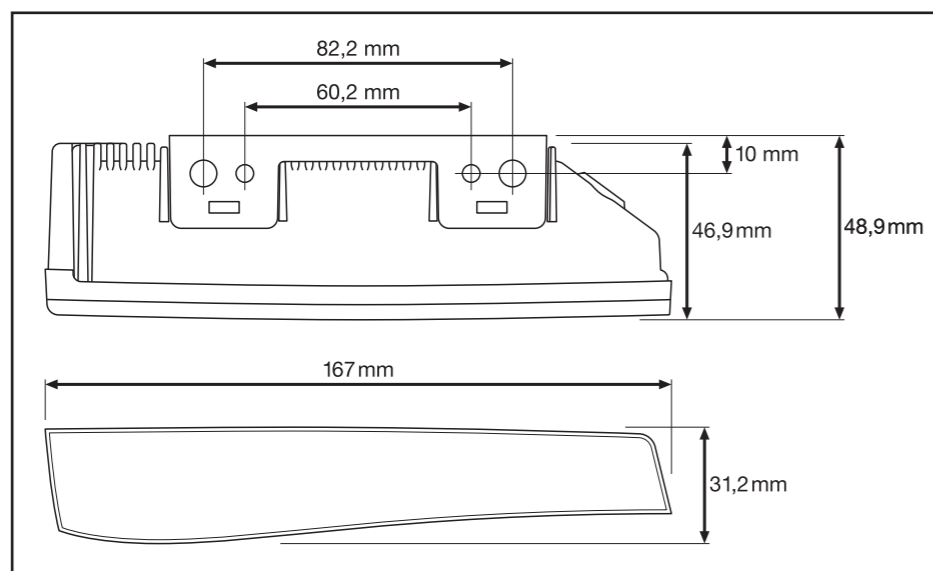
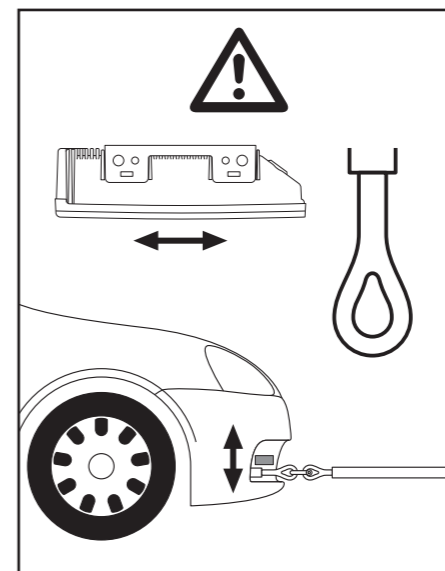
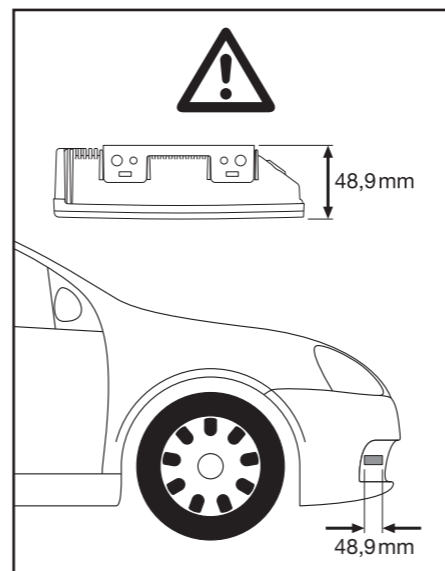
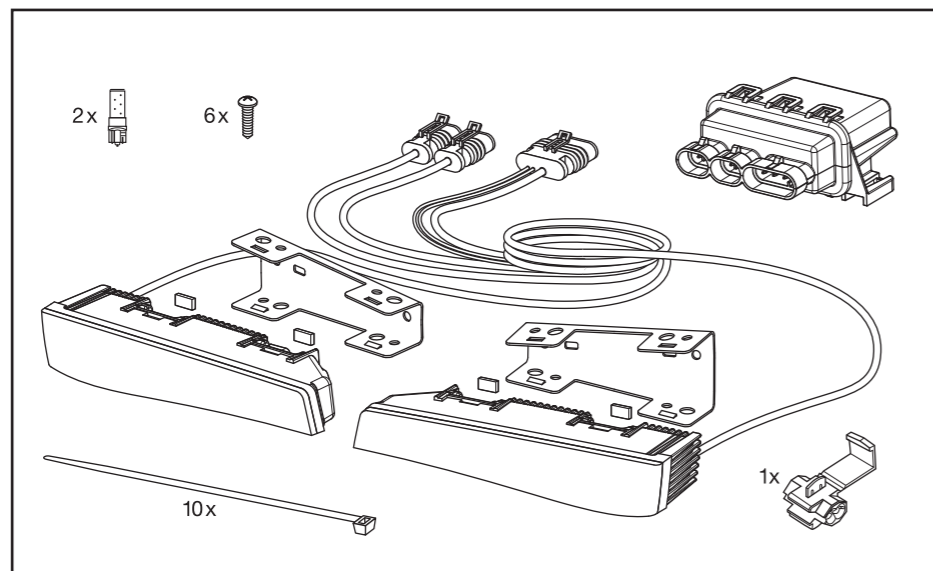
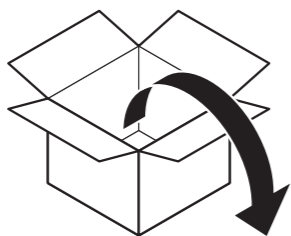
本档的彩色打印版本或其在电脑屏幕上显示的色彩，不可用于最终的色彩参照。因为硬件或设备的差异，可能造成色彩的偏差。最终正式的色彩请遵照由色板卡片PMS,HKS或者CMYK（青红黄黑）所定义的色彩。

若本档的打印件要获取1:1的原始尺寸，须在打印选项中作出相应的设置。



www.highlights.osram.com



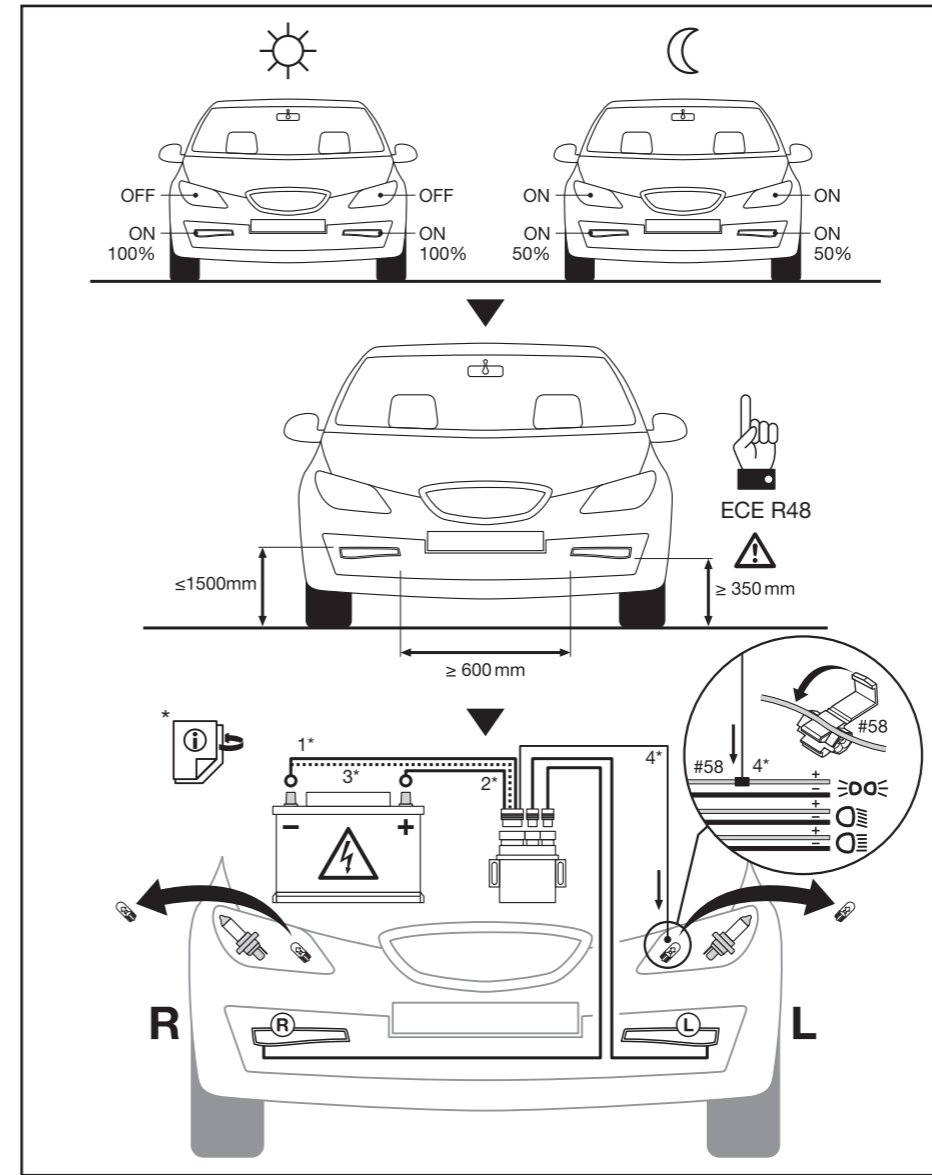
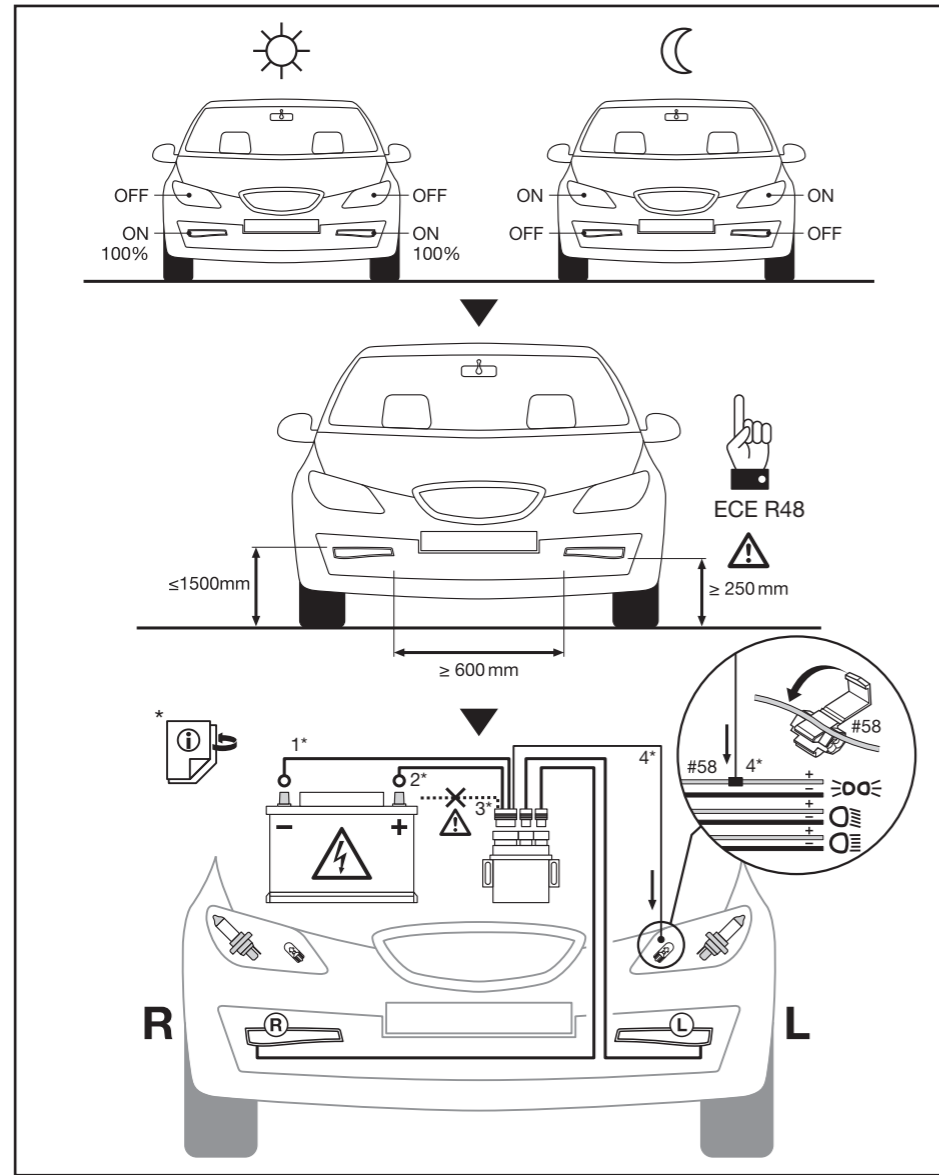
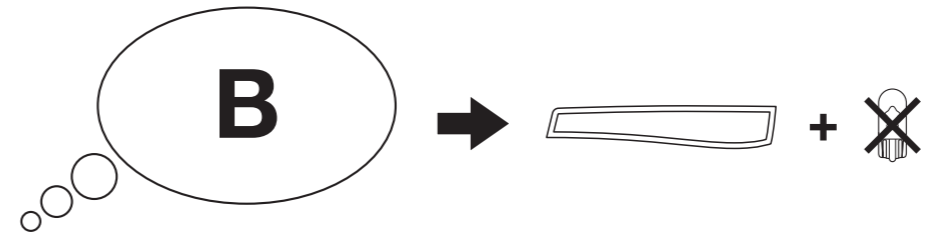
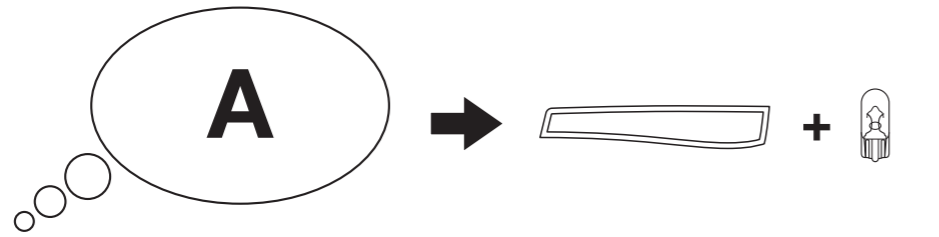


NOT FOR PRINT PRODUCTION!
本品不可印刷生产

WARNING:
This PDF file is for reference only and not to be used for the creation of production art.
Colour printouts and screen displays should not be used for colour approval as colours may vary from device to device. The colour values for this file are defined in either Pantone (PMS), HKS, or in process colours (CMYK).
For obtaining hard-copies in actual size (1:1) you need to enter the proper settings in your printer options.

警告:
本PDF文档仅供参考，不能将本档用于印刷生产或者制作菲林。
本文档的彩色打印版本或其电脑屏幕上显示的色彩，不可用于最终的色彩参照。因为硬件或设备的差异，可能造成色彩的偏差。最终正式的色彩请遵照由色板卡片PMS,HKS或者CMYK (青红黄黑) 所定义的色彩。
若本文档的打印件要获取1:1的原始尺寸，须在打印选项中作出相应的设置。





NOT FOR PRINT PRODUCTION!
本品不可印刷生产

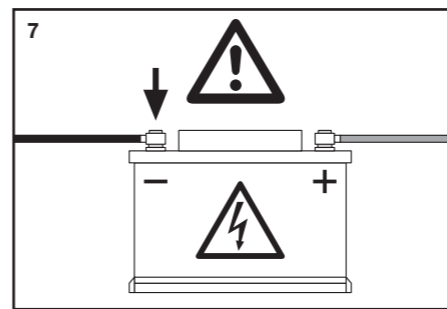
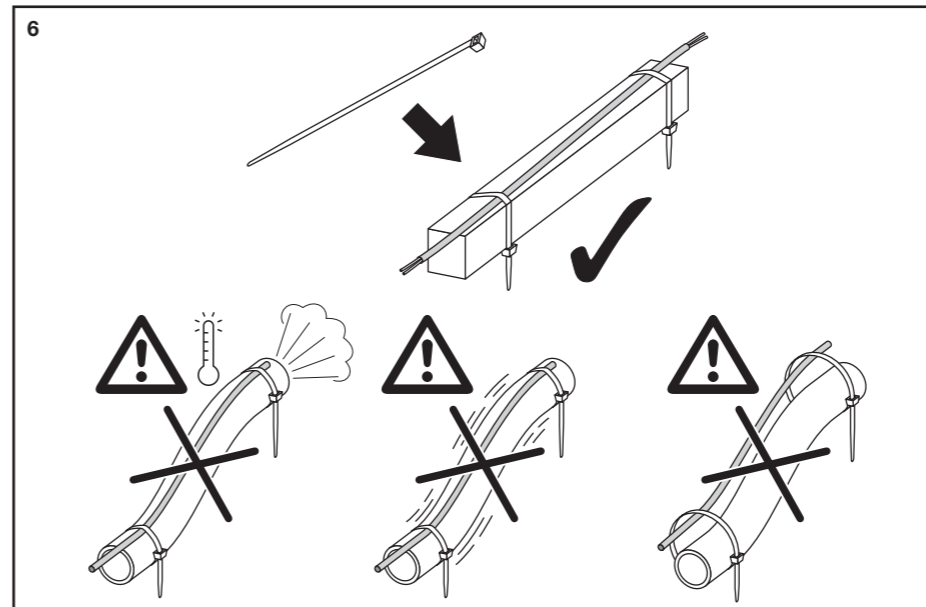
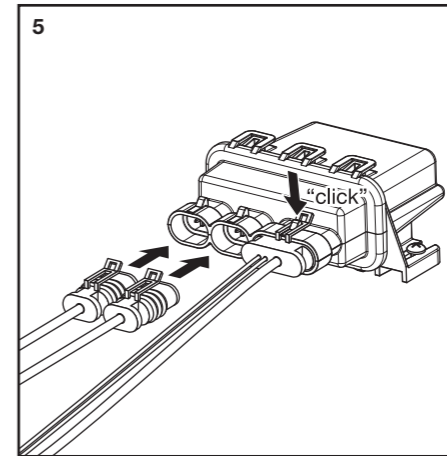
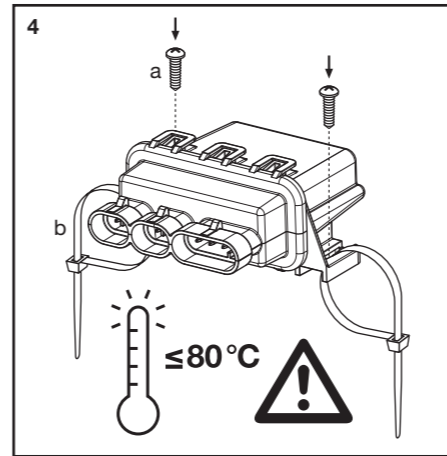
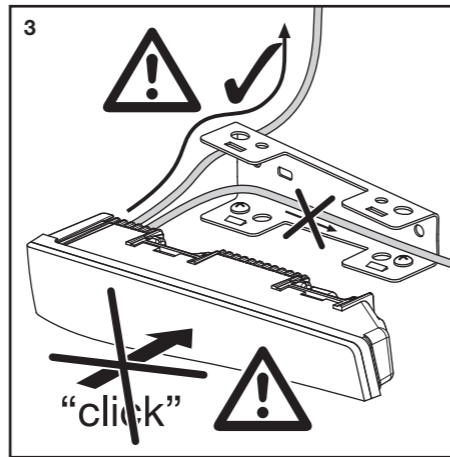
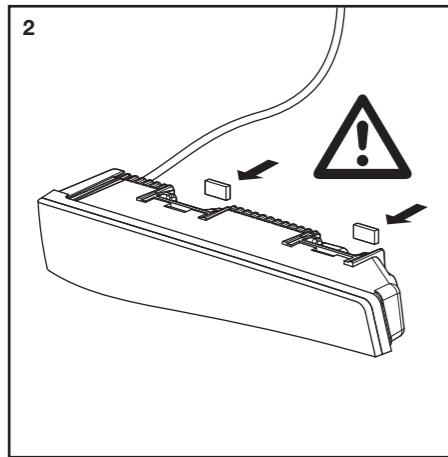
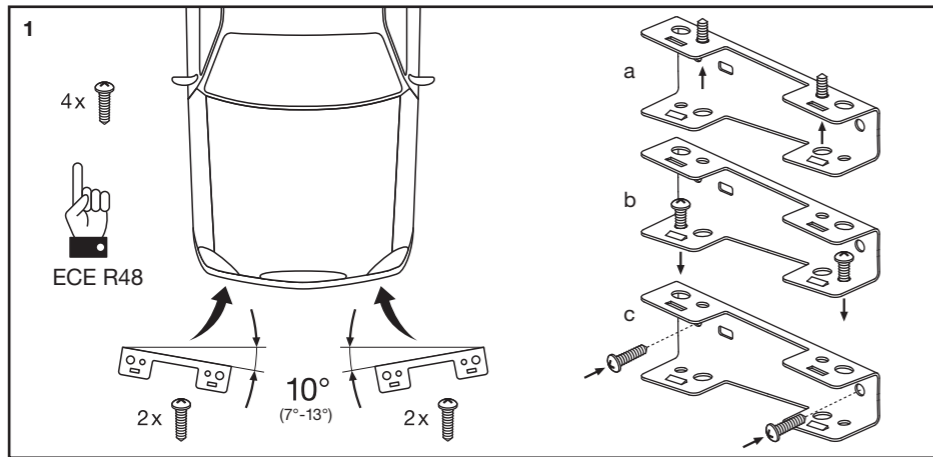
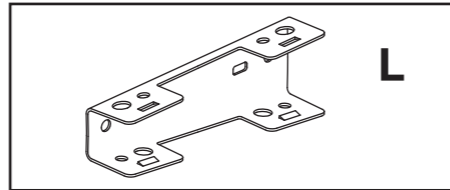
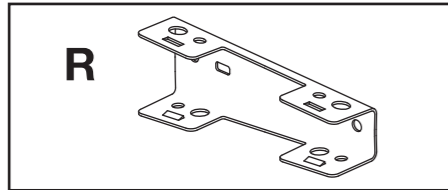
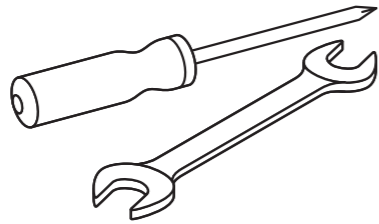
WARNING:
This PDF file is for reference only and not to be used for the creation of production art.
Colour printouts and screen displays should not be used for colour approval as colours may vary from device to device. The colour values for this file are defined in either Pantone (PMS), HKS, or in process colours (CMYK).
For obtaining hard-copies in actual size (1:1) you need to enter the proper settings in your printer options.

警告:
本PDF文档仅作为参照文件, 不能将本档用于印刷生产或者制作菲林。
本文档的彩色打印版本或其在电脑屏幕上显示的色彩, 不可用于最终的色彩参照。因为硬件或设备的差异, 可能造成色彩的偏差。最终正式的色彩请遵照由色板卡片PMS, HKS或者CMYK (青红黄黑) 所定义的色彩。
若本文档的打印件要获取1:1的原始尺寸, 须在打印选项中作出相应的设置。



#8752
black
score dimension 148 x 210 mm

#8752
black
score dimension 148 x 210 mm

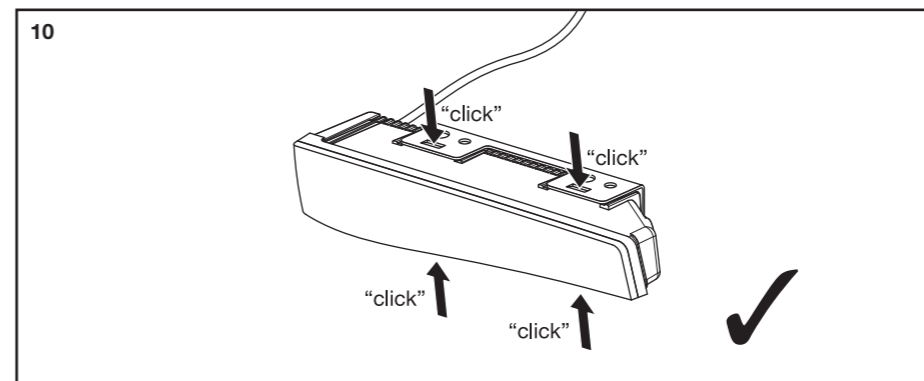
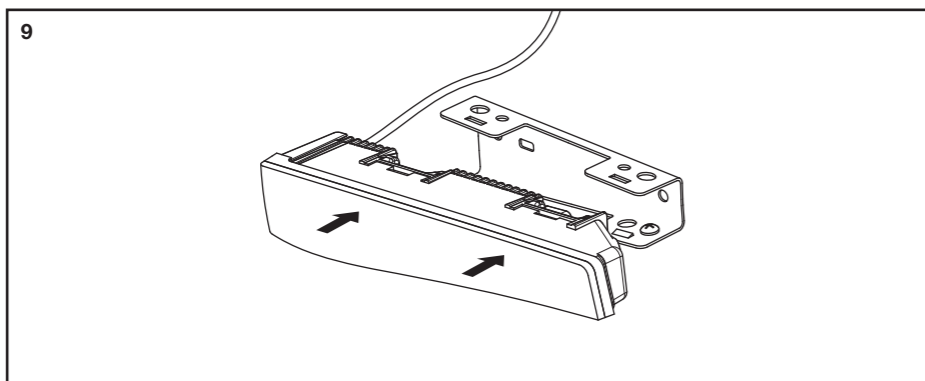
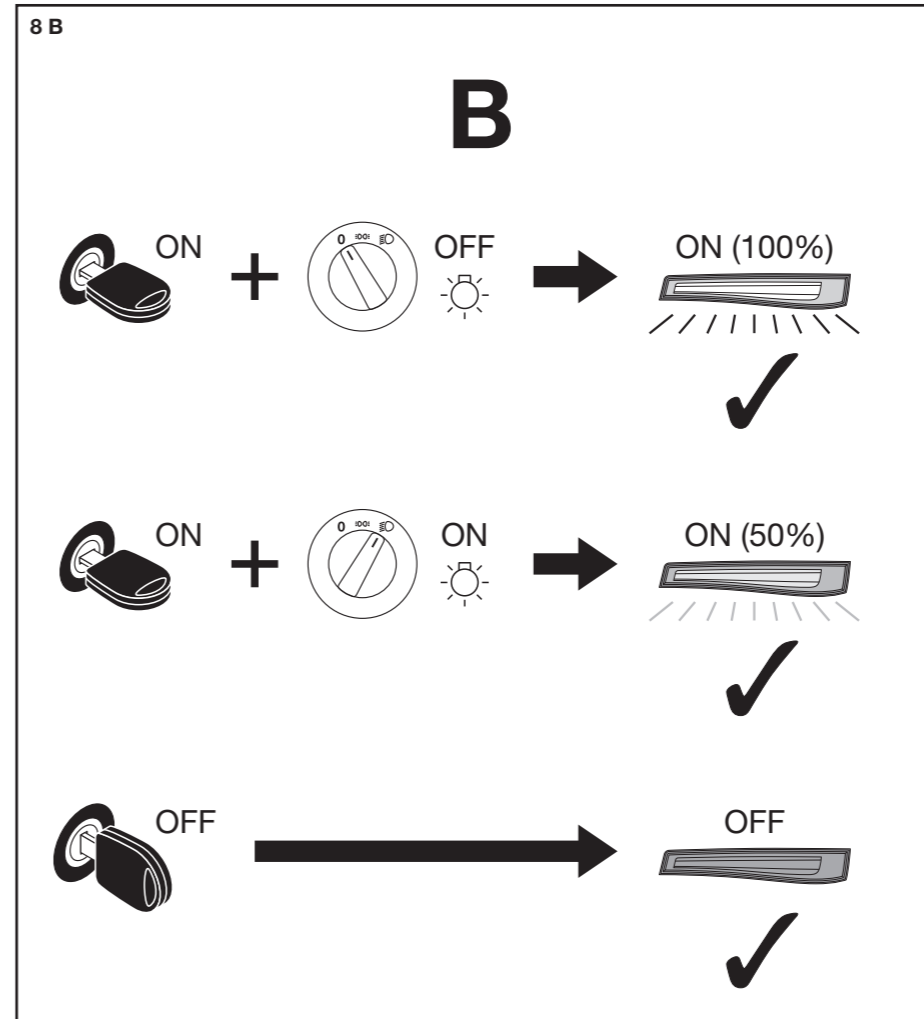
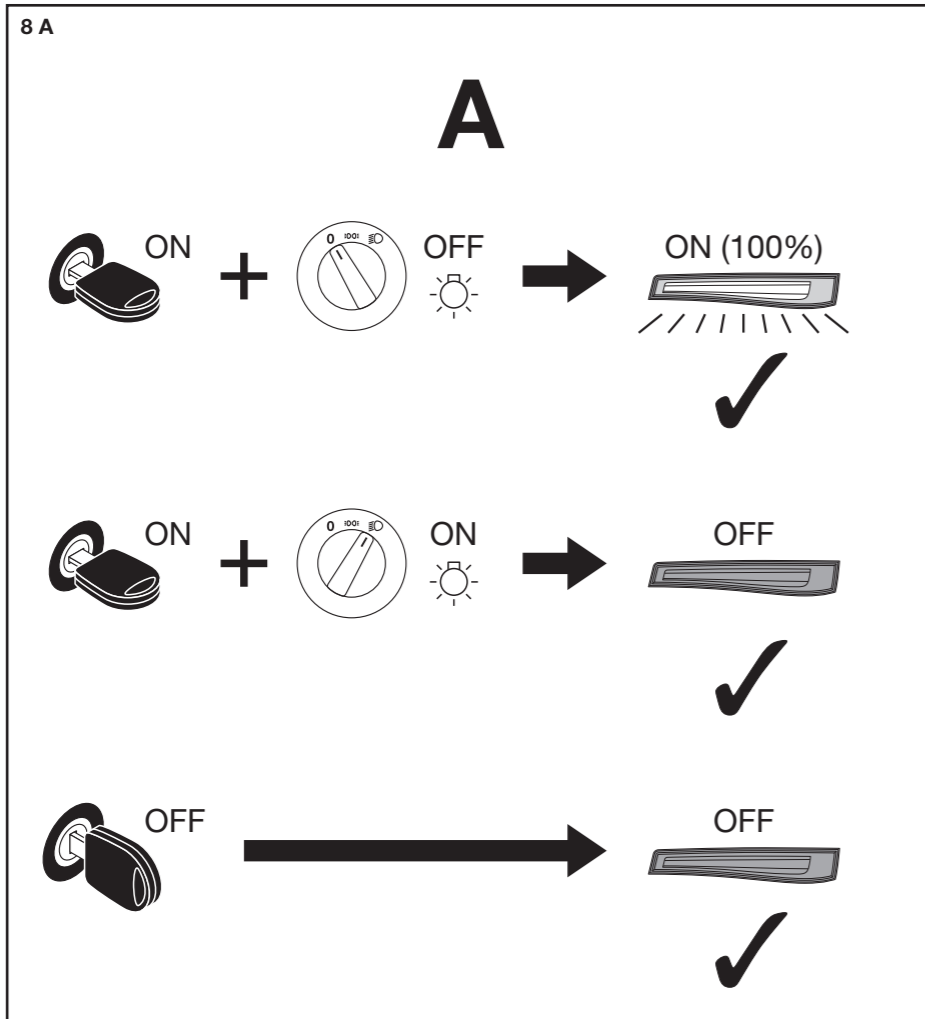


NOT FOR PRINT PRODUCTION!
本品不可印刷生产

WARNING:
This PDF file is for reference only and not to be used for the creation of production art.
Colour printouts and screen displays should not be used for colour approval as colours may vary from device to device. The colour values for this file are defined in either Pantone (PMS), HKS, or in process colours (CMYK).
For obtaining hard-copies in actual size (1:1) you need to enter the proper settings in your printer options.

警告:
本PDF文档仅作为参考文件, 不能将本档用于印刷生产或者制作菲林。
本文档的彩色打印版本或其电脑屏幕上显示的色彩, 不可用于最终的色彩参照。因为硬件或设备的差异, 可能造成色彩的偏差。最终正式的色彩请遵照由色板卡片PMS, HKS或者CMYK (青红黄黑) 所定义的色彩。
若本文档的打印件要获取1:1的原始尺寸, 须在打印选项中作出相应的设置。





NOT FOR PRINT PRODUCTION!
本品不可印刷生产

WARNING:
This PDF file is for reference only and not to be used for the creation of production art.
Colour printouts and screen displays should not be used for colour approval as colours may vary from device to device. The colour values for this file are defined in either Pantone (PMS), HKS, or in process colours (CMYK).
For obtaining hard-copies in actual size (1:1) you need to enter the proper settings in your printer options.

警告:
本PDF文档仅作为参照文件, 不能将本档用于印刷生产或者制作菲林。
本文档的彩色打印版本或其电脑屏幕上显示的色彩, 不可用于最终的色彩参照。因为硬件或设备的差异, 可能造成色彩的偏差。最终正式的色彩请遵照由色板卡片PMS, HKS或者CMYK (青红黄黑) 所定义的色彩。
若本档的打印件要获取1:1的原始尺寸, 须在打印选项中作出相应的设置。

OSRAM



Ⓢ 1 black, 2 red, 3 blue, 4 orange. For authorised use of variation B, the existing position light function is to be closed down in accordance with ECE R48. Not permitted in vehicles with an automatic start-stop control

Ⓢ 1 schwarz, 2 rot, 3 blau, 4 orange. Zur zulässigen Nutzung der Variante B ist nach ECE R48 die bestehende Positionslichtfunktion stillzulegen. Nicht zulässig an Fahrzeugen mit Start-Stopp Automatik

Ⓢ 1 noir, 2 rouge, 3 bleu, 4 orange. L'utilisation de la version B admissible selon ECE R48 pose pour condition de mettre la fonction des feux de position existants hors circuit. Inadmissible sur des véhicules avec arrêt/marche automatique

Ⓢ 1 nero, 2 rosso, 3 blu, 4 arancione

Ⓢ 1 negro, 2 rojo, 3 azul, 4 naranja. Para usar adicionalmente la variante B, según ECE R48 debe ponerse fuera de servicio la función de luz de posición existente. No permisible en vehículos con arranque y paro automático

Ⓢ 1 preto, 2 vermelho, 3 azul, 4 laranja. De acordo com a norma ECE R48, a utilização permitida da variante B requer a desativação da função das luzes de presença existente. Não permitido em viaturas com sistema Start/Stop

Ⓢ 1 μαύρο, 2 κόκκινο, 3 μπλε, 4 πορτοκαλί

Ⓢ 1 zwart, 2 rood, 3 blauw, 4 oranje

Ⓢ 1 svart, 2 rött, 3 blått, 4 orange

Ⓢ 1 musta, 2 punainen, 3 sininen, 4 oranssi

Ⓢ 1 Svart, 2 Röd, 3 Blå, 4 Orange

Ⓢ 1 sort, 2 rød, 3 blå, 4 orange

Ⓢ 1 černá, 2 červená, 3 modrá, 4 oranžová. Pro povolené používání varianty B se musí podle ECE R48 odpojit funkce parkovacích světel. Není dovoleno u vozidel se systémem Start-Stop

Ⓢ 1 черный, 2 красный, 3 синий, 4 оранжевый

Ⓢ 1 fekete, 2 piros, 3 kék, 4 narancs

Ⓢ 1 czarny, 2 czerwony, 3 niebieski, 4 pomarańczowy. W celu dopuszczonego używania wariantu B należy wg ECE R48 odłączyć istniejącą funkcję światła pozycyjnego. Niedopuszczalne w pojazdach z systemem Start-Stop

Ⓢ 1 čierna, 2 červená, 3 modrá, 4 oranžová. Pre povolené používanie variantu B sa musí podľa ECE R48 odpojiť funkcia obrysových svetiel. Nie je dovolené u vozidiel so systémom Štart-Štop

Ⓢ 1 črna, 2 rdeča, 3 modra, 4 oranžna

Ⓢ 1 siyah, 2 kırmızı, 3 mavi, 4 turuncu. B varyantının izin verilen şekilde kullanımı için ECE R48 uyarınca mevcut pozisyon ışığı fonksiyonunun kapatılması gereklidir. Start-Stop otomatikli taşıtlarda kullanılamaz

Ⓢ 1 crno, 2 crveno, 3 plavo, 4 narančasto. Radi dopuštene uporabe varijante B mora se prema ECE R48 zaustaviti postojeća funkcija pozicijskog svjetla. Nije dopušteno na vozilima s automatikom za start-stop

Ⓢ 1 negru, 2 roșu, 3 albastru, 4 portocaliu. Pentru utilizarea admisibilă a variantei B trebuie, conform ECE R48, ca funcția existentă a luminei de poziție să se scoată din funcțiune. Neomologat pentru autovehicule cu sistem automat start-stop

Ⓢ 1 черно, 2 червено, 3 синьо, 4 оранжево

Ⓢ 1 must, 2 punane, 3 sinine, 4 oranž

Ⓢ 1 juoda, 2 raudona, 3 mēlyna, 4 oranžinē

Ⓢ 1 Melns, 2 Sarkans, 3 Zils, 4 Oranža

Ⓢ 1 crno, 2 crveno, 3 plavo, 4 naranđasto. Radi dozvoljene upotrebe varijante B se prema ECE R48 mora zaustaviti postojeća funkcija pozicionog svetla. Nije dozvoljeno na vozilima sa automatikom za start-stop

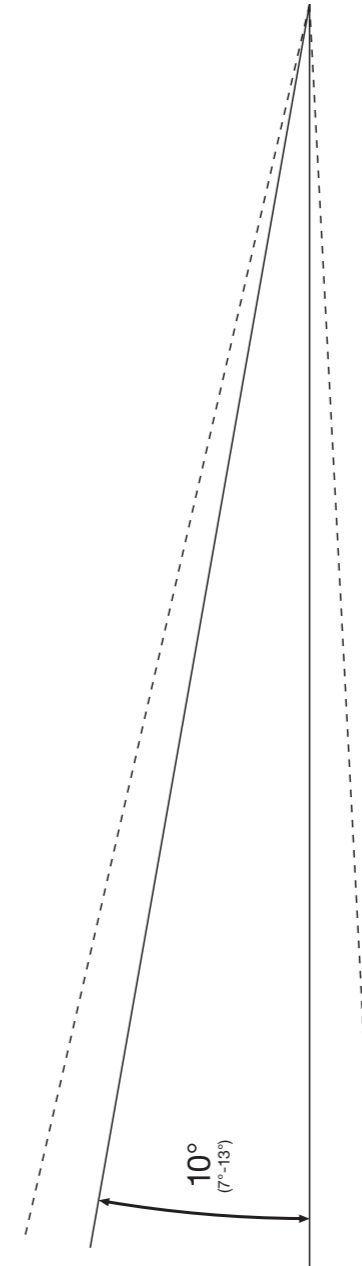
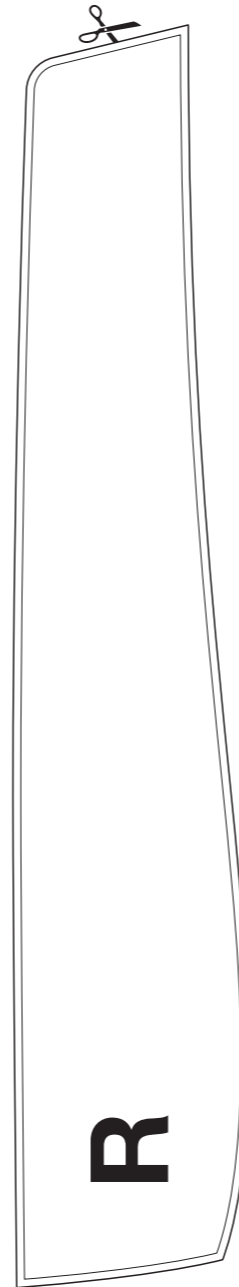
Ⓢ 1 чорний, 2 червоний, 3 блакитний, 4 оранжевий

Ⓢ 1 黑色, 2 红色, 3 蓝色, 4 橙色。对于允许使用变种B的情形, 依据 ECE R48 的规定, 需要关闭已有的位置灯功能。不允许安装在带有启动停止自动装置的车辆上

Ⓢ 1 黑, 2 紅, 3 藍, 4 橘。對於允許使用變種B的情形, 依據 ECE R48 的規定, 需要關閉已有的位置燈功能。不允許安裝在帶有啟動停止自動裝置的車輛上

Ⓢ 1 검정색, 2 빨간색, 3 파란색, 4 주황색. B타입의 올바른 사용을 위해 기존의 위치등 기능을 ECE R48 규정에 따라 꺼야 합니다. 오토 스타트 스톱 시스템이 장착된 차량에는 허용되지 않습니다.

Ⓢ 1 สีดำ, 2 สีแดง, 3 สีน้ำเงิน, 4 สีส้ม. ในกรณีการใช้งานเปลี่ยนรูปแบบ B ที่ได้รับอนุญาตนั้น จะต้องปิดฟังก์ชันไฟบอกตำแหน่งที่มีอยู่ตามข้อกำหนด ECE R48. ไม่อนุญาตให้ใช้ในรถที่มีระบบควบคุมการหยุดออกตัวอัตโนมัติ



G10365437
C10238698

OSRAM AG
Steinerne Furt 62
86167 Augsburg
Germany
www.osram.com

SAE
IP69K
ECE R87



#8752
black
score dimension 148 x 210 mm

#8752
black
score dimension 148 x 210 mm

NOT FOR PRINT PRODUCTION!
本品不可印刷生产

WARNING:

This PDF file is for reference only and not to be used for the creation of production art.

Colour printouts and screen displays should not be used for colour approval as colours may vary from device to device. The colour values for this file are defined in either Pantone (PMS), HKS, or in process colours (CMYK).

For obtaining hard-copies in actual size (1:1) you need to enter the proper settings in your printer options.

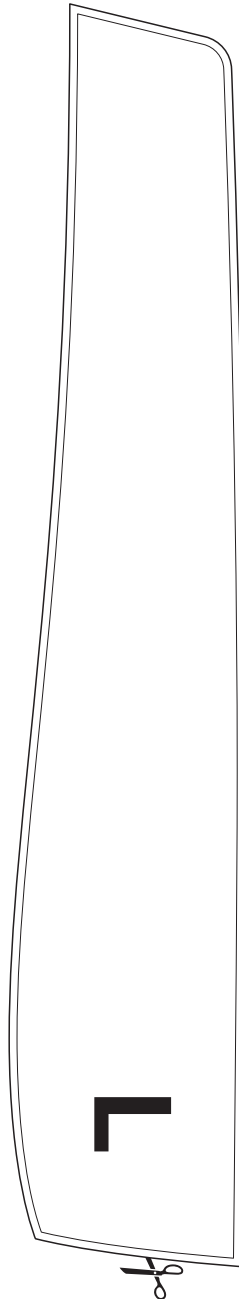
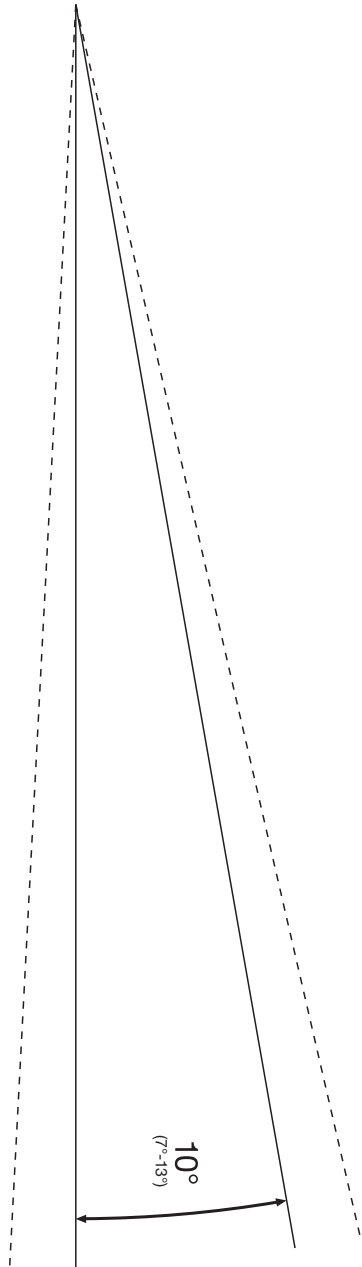
警告:

本PDF文档仅作为参考文件, 不能将本档用于印刷生产或者制作菲林。

本文档的彩色打印版本或其于电脑屏幕上显示的色彩, 不可用于最终的色彩参照。因为硬件或设备的差异, 可能造成色彩的偏差。最终正式的色彩请遵照由色板卡片PMS, HKS或者CMYK (青红黄黑) 所定义的色彩。

若本档的打印件要获取1:1的原始尺寸, 须在打印选项作出相应的设置。





NOT FOR PRINT PRODUCTION!

本品不可印刷生产

WARNING:

This PDF file is for reference only and not to be used for the creation of production art.

Colour printouts and screen displays should not be used for colour approval as colours may vary from device to device. The colour values for this file are defined in either Pantone (PMS), HKS, or in process colours (CMYK).

For obtaining hard-copies in actual size (1:1) you need to enter the proper settings in your printer options.

警告:

本PDF文档仅作为参照文件，不能将本档用于印刷生产或者制作菲林。

本档的色彩打印版本或其在电脑屏幕上显示的色彩，不可用于最终的色彩参照。因为硬件或设备的差异，可能造成色彩的偏差。最终正式的色彩请遵照由色板卡片PMS,HKS或者CMYK（青红黄黑）所定义的色彩。

若本档的打印件要获取1:1的原始尺寸，须在打印选项中作出相应的设置。

